

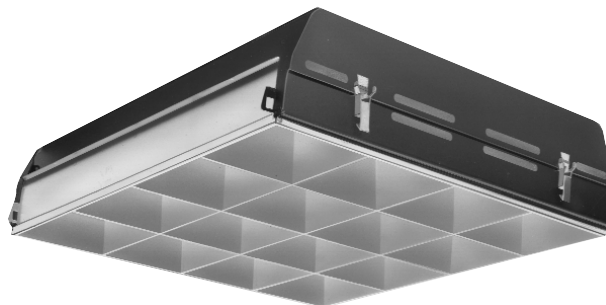
Paralyte 2424 PLA2G16LS26U

Page 1 of 2

2' x 2' Recessed Fluorescent, 3-1/8" Deep, 16 Cell Parabolic Louver
Static and Air Return 2 Lamp, T8 or T12

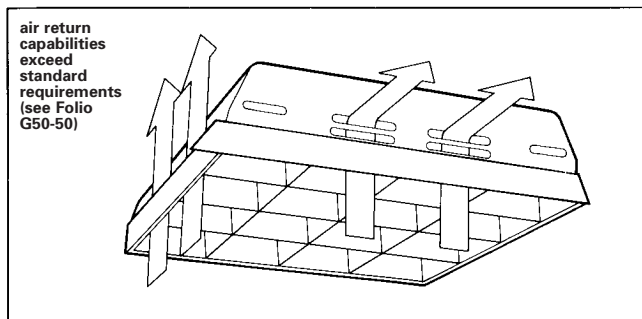
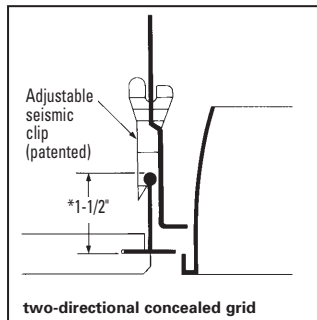
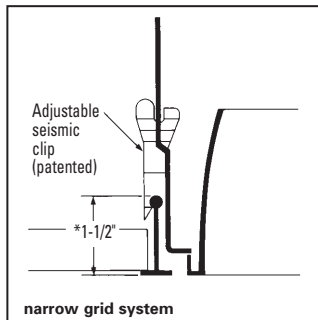
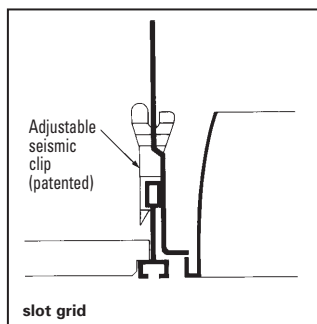
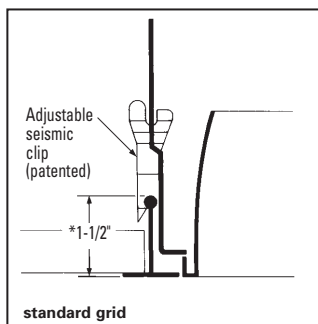
Features

- 23" x 23" louver
- Efficiency 59.3%.
- One fixture fits 50 different G type and T type ceiling systems.
- Only 5 1/2" deep housing.
- Automatic engaging adjustable seismic clips.
- Pre-anodized aluminum vertical grain parabolic louver.
- 3 1/8" deep louver.
- Low iridescence semi-specular aluminum, standard.
- Spring-loaded latches.
- Protective film dust guard.
- UL-Listed twin knockout access plate.
- Not for continuous row mounting.

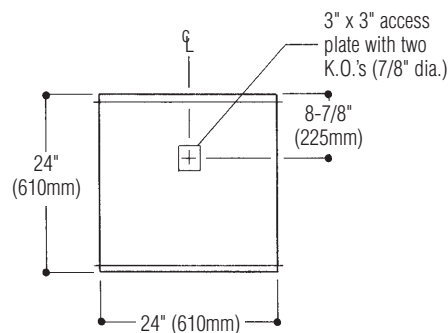
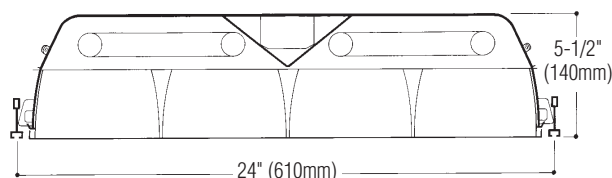


Mounting Methods

*If less than 1 1/2", STC spacer is required, 2 each end.



Dimensions



NOTE: Fixtures may be used for static or air return applications.

Job Information

Type:

Job Name:

Cat. No.:

Lamp(s):

Volts/Ballast:

Lightolier a Genlyte Thomas Company

www.lightolier.com

Technical Information: (978) 657-7600 • Fax (978) 658-0595

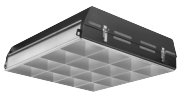
631 Airport Road, Fall River, MA 02720 • (508) 679-8131 • Fax (508) 674-4710

We reserve the right to change details of design, materials and finish.

© 2003 Genlyte Thomas Group LLC (Lightolier Division)

A0902

Section 2/Folio G50-53 Rev. A

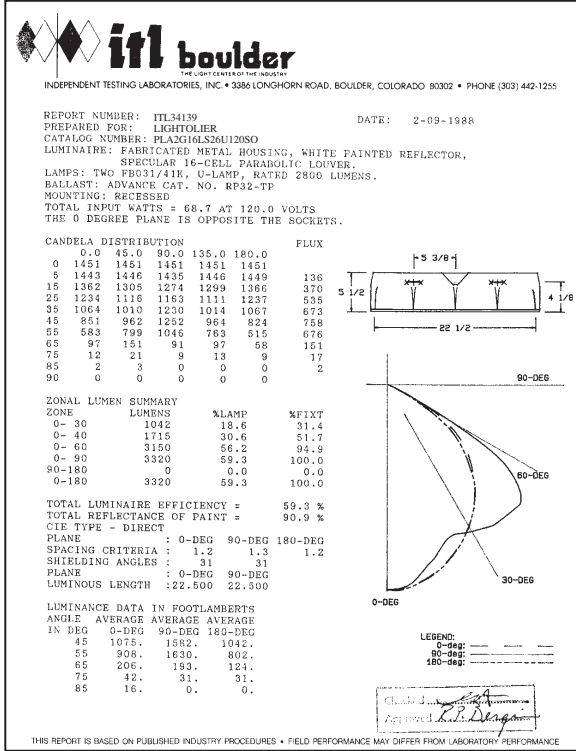


Paralyte 2424 PLA2G16LS26U

2' x 2' Recessed Fluorescent, 3-1/8" Deep, 16 Cell Parabolic Louver
Static and Air Return 2 Lamp, T8 or T12

Photometry

Model No. PLA2G16LS26U120S0



LER = FP - 49.5 IW - 58.0 BF - 0.87

Comparative yearly lighting energy cost per 1000 lumens = \$4.85

coefficients of utilization — zonal cavity method (effective floor cavity reflectance 0.20)

RF	20			20			20			
RC	80			50			30			
RW	70	50	30	50	30	10	50	30	10	
room cavity ratio	1	66	64	62	60	59	58	58	57	56
	2	62	58	55	55	52	50	53	51	49
	3	57	52	48	50	46	44	48	45	43
	4	53	47	42	45	41	38	43	40	38
	5	48	42	37	40	36	33	39	35	33
	6	45	37	33	36	32	29	35	31	29
	7	41	34	29	32	28	25	31	28	25
	8	38	30	25	29	25	22	28	24	21
	9	34	27	22	26	22	19	25	21	18
	10	32	24	20	23	19	16	23	19	16

visual comfort probability (rated lumens per lamp 3150.)

room size		ceiling height				ceiling height			
W	L	8.5	10.0	13.0	16.0	8.5	10.0	13.0	16.0
20	20	81	75	71	80	79	69	60	71
20	30	84	78	74	73	82	73	66	65
20	40	86	80	77	75	82	75	70	69
20	60	87	81	80	78	83	75	73	72
30	20	85	79	71	76	83	75	64	70
30	30	87	82	74	70	86	78	68	65
30	40	88	83	77	72	86	79	72	68
30	60	89	84	80	75	86	79	75	72
30	80	89	85	81	78	86	79	74	72
40	20	86	82	75	75	84	77	69	71
40	30	88	83	77	70	87	80	73	67
40	40	89	85	80	73	87	81	76	70
40	60	90	86	82	75	87	81	77	73
40	80	90	86	83	78	87	81	77	73
40	100	91	86	83	78	87	81	77	73
60	30	88	84	79	73	87	81	75	70
60	40	89	86	82	75	88	82	78	73
60	60	90	87	83	77	88	82	79	75
60	80	91	87	84	79	88	83	79	75
60	100	91	87	85	80	88	83	79	75
100	40	89	86	82	77	88	82	79	74
100	60	90	87	84	79	88	82	81	77
100	80	91	87	85	81	88	83	81	78
100	100	91	88	86	82	88	83	81	78

Ordering Information

Explanation of Catalog Number. Example: PLA2G16LS26U120S0GLR

PL Paralyte 2424: 3-1/8" Deep Parabolic Precision Contoured Pre-anodized Aluminum Louver	A Body Style: A= Air Handling /Static	2 Fixture Width	G Ceiling Type: G=Grid (lay-in T-bar)	16 Number of Cells	S Ballast Cover: S=Single V Reflector	2 Lamp Quantity	6U Lamp/ Fixture Length: 6" U Lamp T8 or T12 (Nominal 24")	120 or 277 Voltage:	1-2 Lamp Mag. T12 1-2 Lamp Elec. T8 LOL T8 Dimming *Instant Start Standard Other dimming options. Consult factory.	Options: Add appropriate suffix to catalog no. ie: (GLR) Ballast Type: LE <20THD SO* HI* PS -
---	--	---------------------------	--	------------------------------	--	---------------------------	---	-------------------------------	---	--

Louver Finish:
 L = Low Iridescence
 S = Semi-specular
 W = White Paint

Options & Accessories

Prewiring: 3/8" factory prewired cable (three no. 18 AWG leads, 6' long), Suffix: **FF6**, (Four no. 18 AWG leads, 6' long), Suffix: **FF14**.

Fusing: Internal fast-blow fusing. Suffix: **GLR**.

Internal slow-blow fusing. Suffix: **GMF**.

Fluorescent Emergency Lighting System: Factory-installed emergency power battery pack with charger and inverter, concealed in fixture channel. Operates one fluorescent lamp at reduced light output for 90 minutes. Suffix: **EM**.

Radio Interference Filter: 120 or 277 volt, 50 or 60 Hz.

One per fixture. Suffix: **R**. One per ballast. Suffix: **B**.

Electrical Options: Special wiring, fusing or dimming ballasts and installed lamps are available, consult your Lightolier representative or factory.

T-Bar Spacer: If T-bar is less than 1-1/2" deep, order Catalog Number: **STC**. 2 each end is required.

Specifications

Performance: In an installation of 2 lamp 31W luminaires in a room cavity ratio of 1, with reflectance of 80% ceiling, 50% wall, 20% floor, the C.U shall not be less than 64. To prevent glare the VCP shall not be less than 88 either lengthwise or crosswise (at 100fc level) and the average brightness at 65° shall not exceed 206 foot-lamberts. To control veiling reflections, luminaire output in the 30°-90° zone shall not be less than 68.6%.

Specifications (continued)

Air Return: Designed to provide optimum air return. Air is returned through the lamp compartment for all ceiling systems and direct to plenum through slots in slot grid and narrow grid ceiling systems.

Materials: Chassis parts are die-formed code gauge cold rolled steel. **Housing** is pre-anodized aluminum (Coilzak® or equal).

Finish: Louver—semi-specular anodized low iridescence, vertical grain reflector sheet. **Cavity**—white baked polyester minimum 86% reflectance. Phosphate undercoating. **Chassis exterior**—black baked polyester enamel.

Electrical: Thermally protected class "P" ballast C.B.M. approved, non PCB. If K.O. is within 3" of ballast, use wire suitable for at least 90°.

Labels: I.B.E.W./UL and ULc Listed.

Job Information Type:

Lightolier a Genlyte Thomas Company www.lightolier.com
 Technical Information: (978) 657-7600 • Fax (978) 658-0595
 631 Airport Road, Fall River, MA 02720 • (508) 679-8131 • Fax (508) 674-4710
 We reserve the right to change details of design, materials and finish.
 © 2003 Genlyte Thomas Group LLC (Lightolier Division)
Section 2/Folio G50-53 Rev. A

